

# AI 12X PTZ Bullet Network Camera



NDA A ✓

IP66

AF Lens



DATASHEET

## KEY FEATURES

- ▶ NDA A Compliance (The fully NDA A-compliant products are well suited for government, defense and a range of projects subject to the NDA A.)
- ▶ Smart IR II (Combining the High Beam and Low Beam to adjust IR intensity to fit different lighting conditions.)
- ▶ 90fps High Frame Rate (Camera can easily catch images with no latency despite of the high-speed movement.)
- ▶ IR LEDs & White LED (Enable distinct at night with IR LEDs as well as express alarm and deliver colorful surveillance with the White LED.)
- ▶ Smart PTZ Motion Detection (Pan and tilt to the position of motion detected area automatically and zoom in synchronously.)
- ▶ 300 Preset Positions (The user can easily control the lens position via mouse to monitor interested area and set up to 300 preset positions for patrolling.)
- ▶ Keyboard Control (Shortcut keys for PTZ control via Keyboard.)
- ▶ Smart Stream (Bandwidth, storage and bit rate save with Smart Stream ON, e.g. H.265+ save 70%~80% bandwidth of H.264.)

## AI Video Analytics

- 8 intelligent VCA modes powered by AI engine, which can intelligently filter objects to focus on human and vehicle detection.
- People Counting technology provides high accuracy and real-time data based on AI algorithm with statistic reports.



## 140dB Super WDR

Sensor-based WDR technology allows the camera to record greater scene details with true color reproduction even under the extreme back light and high contrast conditions. The ratio that the brightest light signal values divided by the darkest light signal values is up to 140dB.



## 12X Optical Zoom

The 12X optical zoom can zoom up to distant subjects while still maintaining the clarity, delivering high quality video over the entire zoom range.



## Flexible Installation Modes

With two installation modes of Wall Mount and Pedestal Mount, the PTZ camera, to a greater extent, meets different installation needs for different application scenarios.



# AI 12X PTZ Bullet Network Camera



	Model	MS-C2961-X12R(T)PE (2MP)	MS-C5361-X12PE (5MP)
<b>Camera</b>	Image Sensor	1/2.8" Progressive Scan CMOS	
	Min. Illumination	Color: 0.005Lux@F1.6 B/W: 0Lux with IR on	Color: 0.008Lux@F1.6 B/W: 0Lux with IR on
	WDR	140dB Super WDR	120dB Super WDR
	Shutter Time	1/100000s~1s	
	IR Distance	Up to 140m	
	Digital Zoom	16X	
	Day/Night Mode	Day/Night/Auto/Customize/Schedule	
	S/N	>55dB	
<b>Lens</b>	Focal Length	5.3~64mm, 12X Optical Zoom	
	Zoom Speed	Approx 4s (Wide-Tele)	
	Field of View	H61°~H5°/D69°~D5°/V36°~V2°	H57°~H4°/D69°~D5°/V44°~V1°
	Focus Control	Auto/Semi-Auto/Manual	
	Minimum Working Distance	1000/1500mm (Wide/Tele)	
	Aperture	F1.6~F2.8	
	Iris Control	Auto	
<b>PTZ</b>	Pan Range/Pan Speed	360°endless / Pan Manual Speed: 0.1°~50°/s, Pan Preset Speed: 50°/s	
	Tilt Range/Tilt Speed	-45°~30° / Tilt Manual Speed: 0.1°~25°/s, Tilt Preset Speed: 25°/s	
	Proportional Zoom	Support	
	Preset Quantity	300	
	Patrol	8 Patrols, up to 48 presets each patrol	
	Pattern	4 Patterns	
	Auto Tracking	Support	
	Power Off Memory	Support	
Other Function	Auto Scan, Auto Home, Preset Freezing, 3D Positioning, PTZ Limits, Initial Position		
<b>Video</b>	Max. Image Resolution	1920x1080	2592x1944
	Primary Stream	60Hz: <b>90fps@(1920x1080)(Optional for T Series)</b> , 60fps@(1920x1080, 1280x960, 1280x720, 704x576) 50Hz: <b>90fps@(1920x1080)(Optional for T Series)</b> , 50fps@(1920x1080, 1280x960, 1280x720, 704x576)	60Hz: 30fps@(2592x1944), 30fps@(2048x1536), 30fps@(1920x1080, 1280x960, 1280x720, 704x576) 50Hz: 25fps@(2592x1944), 25fps@(2048x1536), 25fps@(1920x1080, 1280x960, 1280x720, 704x576)
	Secondary Stream	60Hz: 60fps@(704x576, 640x480, 640x360, 352x288, 320x240) 50Hz: 50fps@(704x576, 640x480, 640x360, 352x288, 320x240)	60Hz: 30fps@(704x576, 640x480, 640x360, 352x288, 320x240) 50Hz: 25fps@(704x576, 640x480, 640x360, 352x288, 320x240)
	Tertiary Stream	60Hz: 30fps@(1920x1080, 1280x720, 704x576, 640x480, 640x360, 320x240) 50Hz: 25fps@(1920x1080, 1280x720, 704x576, 640x480, 640x360, 320x240)	
	Video Compression	H.265*/H.265(HEVC)/H.264*/H.264/MJPEG	
	Video Bit Rate	16Kbps~16Mbps(CBR/VBR Adjustable)	
	Privacy Masking	Up to 8 Areas (Mask Area and Mosaic Area are optional)	
	ROI	Up to 8 areas	
	Image Setting	Brightness/Contrast/Saturation/Sharpness	

# AI 12X PTZ Bullet Network Camera



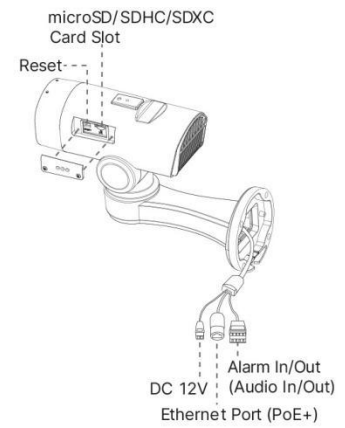
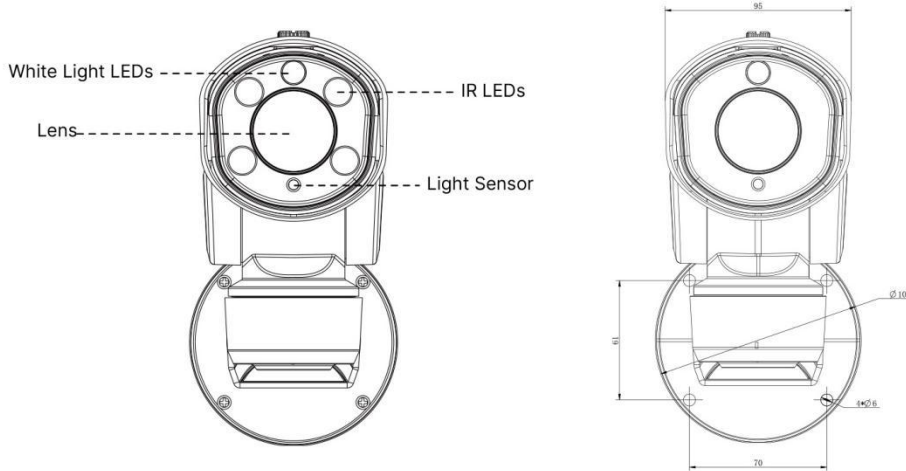
<b>Interface</b>	Ethernet	1*RJ45 10M/100M Ethernet Port
	Audio I/O	1/1 (Optional)
	Alarm I/O	1/1 (Optional)
<b>Network</b>	Network Storage	NAS(Support NFS, SMB/CIFS), ANR
	Protocol	IPv4/IPv6, ARP, TCP, UDP, RTCP, RTP, RTSP, RTMP, HTTP, HTTPS, DNS, DDNS, DHCP, FTP, NTP, SMTP, SNMP, UPnP, Bonjour, SIP, PPPoE, VLAN, 802.1x, QoS, IGMP, ICMP, SSL
<b>Audio</b>	Audio Compression	G.711/AAC/G.722/G.726
	Audio Sampling Rate	8/16/32/44.1/48KHz
	Audio Bit Rate	16~256kbps
	Two-way Audio	Support
<b>Intelligent Analytics</b>	Video Analysis	Region Entrance, Region Exiting, Advanced Motion Detection, Tamper Detection, Line Crossing, Loitering, Object Left, Object Removed
	People Counting&Report	Count the number of people entering or exiting, up to 4 detection areas for regional people counting
<b>System</b>	Storage	Support microSD/SDHC/SDXC Card Local Storage, up to 256G
	Advanced Function	BLC, HLC, 2D DNR, 3D DNR, Defog, AWB, IP Address Filtering, AGC, Anti-flicker, Corridor Mode, Deblur, Watermark
	SIP/VoIP Support	Yes, Voice & Video-over-IP
	Event Trigger	Motion Detection, Network Disconnection, External Input (Optional), Audio Alarm (Optional), etc.
	Event Action	FTP Upload, SMTP Upload, SD Card Record, External Output (Optional), SIP Phone, White LED, PTZ Motion, HTTP Notification, etc.
	System Compatibility	ONVIF Profile G & Q & S & T, API
<b>General</b>	Working Temperature	-40°C~60°C
	Working Humidity	0~90%(Non-condensing)
	Power Supply	PoE (802.3at) / DC 12V/2A±10%
	Power Consumption	16W MAX / 21W MAX (With IR on)      14W MAX / 20W MAX (With IR on)
	Weather Proof	Up to IP66-rated for Weather-resistant Performance
	Weight	2Kg (Wall Mount) / 1.8Kg (Pedestal Mount)
	Dimensions	160mmX273.5mmX210mm (Wall Mount) / 218mmX120mmX172mm (Pedestal Mount)
Warranty	2 Years / 3 Years (Optional)	

# AI 12X PTZ Bullet Network Camera

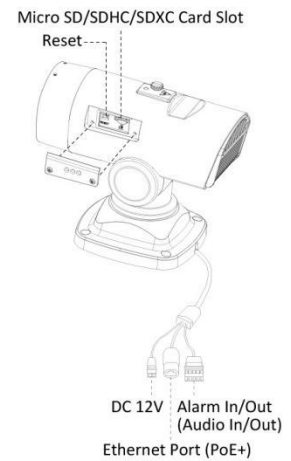
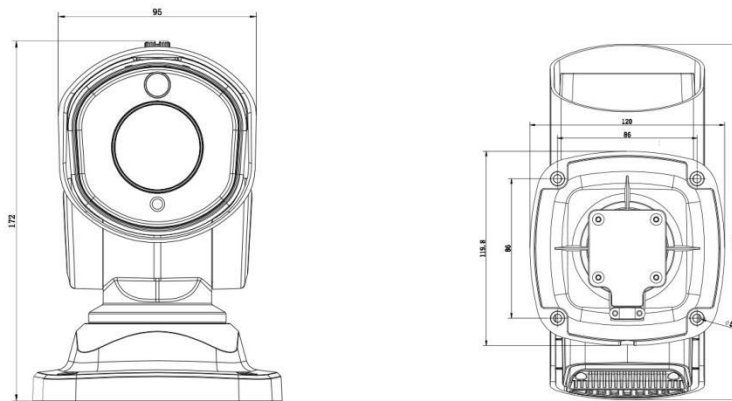


## Structure Diagrams

### Wall Mount:



### Pedestal Mount:



Units: mm

## Accessories Support

### A01 Pole Mount

Weight: 720g  
Dimensions: 170\*51.5\*152.6mm



### A03 External Corner Bracket

Weight: 900g  
Dimensions: 170\*152.5\*76.3mm



### A62 Junction Box

Weight: 510g  
Dimensions: 134\*126\*40mm



**Milesight** | [www.milesight.com](http://www.milesight.com)

Contact Us: [sales@milesight.com](mailto:sales@milesight.com) [support@milesight.com](mailto:support@milesight.com)

Add: 220 NE 51st Street, Oakland Park, Florida 33334, USA  
Tel: +1-800-561-0485

Add: 925, Anyang SK V1 Center, LS-ro 116beon-gil, Dongan-gu, Anvang-si, Korea  
Tel: +82-31-990-7732

Add: Building C09, Software Park Phase III, Xiamen 361024, Fujian, China  
Tel: +86-592-5922772

