

AI LPR 5X/20X/23X PTZ Bullet Plus Network Camera



IP66

AF Lens



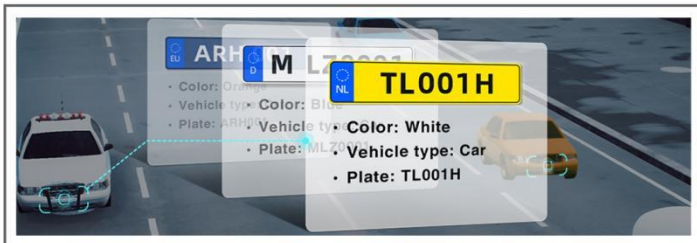
DATASHEET

KEY FEATURES

- ▶ Smart IR II (Combining the High Beam and Low Beam to adjust IR intensity for different lighting conditions with the IR distance up to 180m.)
- ▶ PTZ Auto Tracking (Perform Pan/Tilt/Zoom to track the moving objects in a proper size automatically.)
- ▶ 300 Preset Positions (The user can easily control the lens position via mouse to monitor interested area and set up to 300 preset positions for patrolling.)
- ▶ New-generation PTZ Motor (The new generation motor is designed with sophisticate planetary gear drive to ensure smooth turning and robust performance.)
- ▶ Versatile Interfaces (A whole array of ports including PoE, DC, Audio I/O and Alarm I/O offers more choices for easy management and various needs.)
- ▶ Keyboard Control (Shortcut keys for PTZ control via Keyboard.)
- ▶ Smart Stream (Bandwidth, storage and bit rate save with Smart Stream ON, e.g. H.265+ save 70%~80% bandwidth of H.264.)

AI-powered LPR Algorithm

Based on AI algorithm, the LPR function provides value-added data via a pre-trained deep learning model, which can not only recognize vehicle plates in real time with high accuracy, but also identify more vehicle features, like vehicle type, color, etc., generating powerful security and traffic insights.



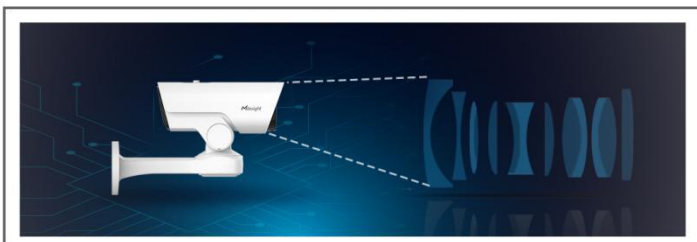
3 in 1 Super WDR Pro & 0.002Lux Ultra Low-light

140dB Super WDR Pro combines 3 frames with multiple exposures to get the optimal images especially moving subjects in high contrast lighting situations. Meanwhile, the cameras can capture full-color images in extremely low-light conditions reaching 0.002Lux without extra light supplement.



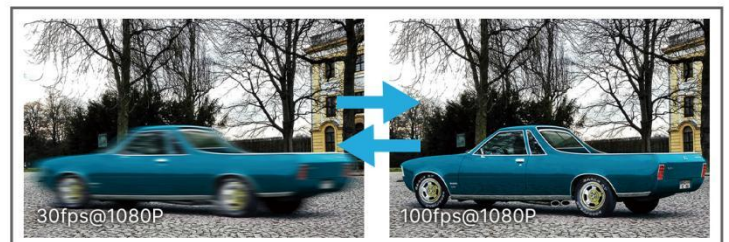
23X Optical Zoom

The 23X optical zoom can zoom up to distant subjects while still maintaining the clarity, delivering high quality video over the entire zoom range.



100fps

With the industry leading frame rate reaching 100fps, the cameras can easily catch images with no latency despite of the high-speed movement, which is the best choice for the demanding requirements especially for intelligent cameras.



AI LPR 5X/20X/23X PTZ Bullet Plus Network Camera



| | Model | MS-C2867-X5TLPC (2MP) | MS-C2867-X20TLPC (2MP) | MS-C5367-X23LPC (5MP) |
|---------------|--------------------------|--|--|--|
| Camera | Image Sensor | 1/2" Progressive Scan CMOS | | 1/2.8" Progressive Scan CMOS |
| | Min. Illumination | Color: 0.002Lux@F1.7 B/W: 0Lux with IR on | Color: 0.002Lux@F1.7 B/W: 0Lux with IR on | Color: 0.008Lux@F1.5 B/W: 0Lux with IR on |
| | WDR | 140dB Super WDR Pro | | 120dB Super WDR |
| | Shutter Time | 1/100000s~1s | | |
| | IR Distance | Up to 180m | | |
| | Digital Zoom | 16X | | |
| | Day/Night Mode | Day/Night/Auto/Customize/Schedule | | |
| | S/N | >55dB | | |
| Lens | Focal Length | 11~55mm, 5X Optical Zoom | 6.4~128mm, 20X Optical Zoom | 5~117mm, 23X Optical Zoom |
| | Zoom Speed | Approx 3.5s (Wide-Tele) | Approx 5s (Wide-Tele) | Approx 6s (Wide-Tele) |
| | Field of View | H34°~H8°/D39°~D9°/V20°~V4° | H60°~H3°/D67°~D4°/V37°~V1° | H55°~H3°/D68°~D4°/V42°~V2° |
| | Focus Control | Auto/Semi-Auto/Manual | | |
| | Minimum Working Distance | 1000/1500mm (Wide/Tele) | | |
| | Aperture | F1.7~F2.1 | F1.7~F2.1 | F1.5~F3.5 |
| | Iris Control | Auto | | |
| LPR | Max. Vehicle Speed | 200km/h | | |
| | Recognition Accuracy | >95% | | |
| | Coverage | Support simultaneous detection of 4 regions | | |
| | White/Black List | Up to 1000 records inside the camera | | |
| | Smart Traffic Detection | License Plate Recognition, Plate Type Classification, Plate Color Recognition, Vehicle Type Classification, Vehicle Color Recognition | | |
| PTZ | Pan Range/Pan Speed | 360°endless / Pan Manual Speed: 0.1°~60°/s, Pan Preset Speed: 60°/s | | |
| | Tilt Range/Tilt Speed | -45°~30° / Tilt Manual Speed: 0.1°~30°/s, Tilt Preset Speed: 30°/s | | |
| | Proportional Zoom | Support | | |
| | Preset Quantity | 300 | | |
| | Patrol | 8 Patrols, up to 48 presets each patrol | | |
| | Pattern | 4 Patterns | | |
| | Auto Tracking | Support | | |
| | Power Off Memory | Support | | |
| | Other Function | Auto Scan, Auto Home, Preset Freezing, 3D Positioning, PTZ Limits, Initial Position | | |
| Video | Max. Image Resolution | 1920x1080 | | 2592x1944 |
| | Primary Stream | 60Hz/50Hz: 100fps@(1920x1080, 1280x960, 1280x720, 704x576) | | 60Hz: 30fps@(2592x1944), 45fps@(2048x1536),60fps@(1920x1080, 1280x960, 1280x720, 704x576) 50Hz: 25fps@(2592x1944), 45fps@(2048x1536),50fps@(1920x1080, 1280x960, 1280x720, 704x576) |
| | Secondary Stream | 60Hz: 60fps@(704x576, 640x480, 640x360, 352x288, 320x240, 320x192, 320x180) 50Hz: 50fps@(704x576, 640x480, 640x360, 352x288, 320x240, 320x192, 320x180) | | 60Hz: 30fps@(704x576, 640x480, 640x360, 352x288, 320x240, 320x192, 320x180) 50Hz: 25fps@(704x576, 640x480, 640x360, 352x288, 320x240, 320x192, 320x180) |
| | Tertiary Stream | 60Hz: 30fps@(1920x1080, 1280x720, 704x576, 640x480, 640x360, 320x240, 320x192, 320x180) 50Hz: 25fps@(1920x1080, 1280x720, 704x576, 640x480, 640x360, 320x240, 320x192, 320x180) | | |

AI LPR 5X/20X/23X PTZ Bullet Plus Network Camera

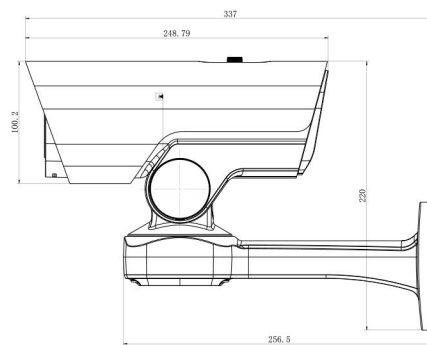
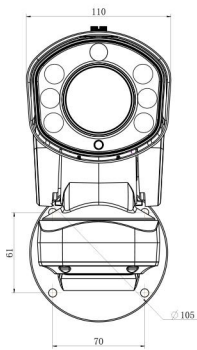
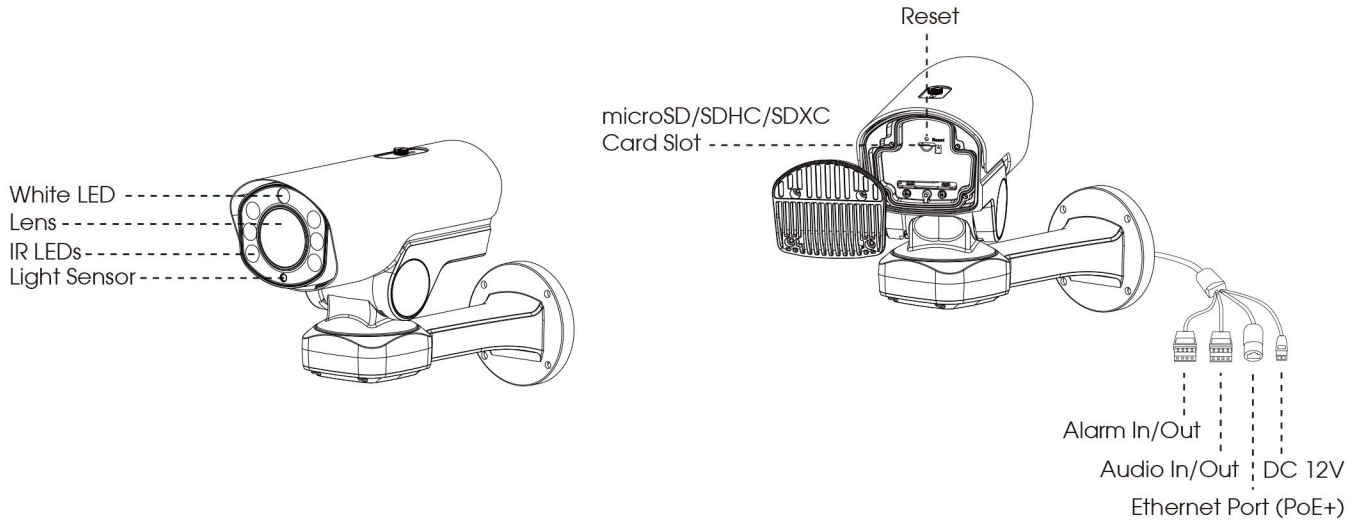


| | | | | |
|------------------|----------------------|--|--------------------------------|--|
| Video | Video Compression | H.265+/H.265(HEVC)/H.264+/H.264/MJPEG | | |
| | Video Bit Rate | 16Kbps~16Mbps(CBR/VBR Adjustable) | | |
| | Privacy Masking | Up to 28 areas(24 mask areas and 4 mosaic areas) | | |
| | ROI | Up to 8 areas | | |
| | Image Setting | Brightness/Contrast/Saturation/Sharpness | | |
| Interface | Ethernet | 1*RJ45 10M/100M Ethernet Port | | |
| | Audio I/O | 1/1 | | |
| | Alarm I/O | 1/1 | | |
| Network | Network Storage | NAS(Support NFS, SMB/CIFS), ANR | | |
| | Protocol | IPv4/IPv6, ARP, TCP, UDP, RTCP, RTP, RTSP, RTMP, HTTP, HTTPS, DNS, DDNS, DHCP, FTP, NTP, SMTP, SNMP, UPnP, Bonjour, SIP, PPPoE, VLAN, 802.1x, QoS, IGMP, ICMP, SSL | | |
| Audio | Audio Compression | G.711/AAC/G.722/G.726 | | |
| | Audio Sampling Rate | 8/16/32/44.1/48KHz | | |
| | Audio Bit Rate | 16~256kbps | | |
| | Two-way Audio | Support | | |
| System | Storage | Support microSD/SDHC/SDXC Card Local Storage, up to 256G | | |
| | Advanced Function | BLC, HLC, 2D DNR, 3D DNR, Defog, AWB, EIS, IP Address Filtering, AGC, Anti-flicker, Corridor Mode, Deblur, Watermark | | |
| | SIP/VoIP Support | Yes, Voice & Video-over-IP | | |
| | Event Trigger | Black/White List, Motion Detection, Network Disconnection, External Input, Audio Alarm, etc. | | |
| | Event Action | FTP Upload, SMTP Upload, SD Card Record, External Output, SIP Phone, White LED, PTZ Motion, HTTP Notification, etc. | | |
| | System Compatibility | ONVIF Profile G & Q & S & T, API | | |
| General | Working Temperature | -40°C~60°C | | |
| | Working Humidity | 0~90%(Non-condensing) | | |
| | Power Supply | PoE (802.3at) / DC 12V/3A±10% | | |
| | Power Consumption | 12W MAX / 28W MAX (With IR on) | 12W MAX / 23W MAX (With IR on) | |
| | Housing | Up to IP66-rated for Weather-resistant Performance | | |
| | Weight | 2.9Kg | | |
| | Dimensions | 110mmX337mmX220mm | | |
| | Warranty | 2 Years / 3 Years (Optional) | | |

AI LPR 5X/20X/23X PTZ Bullet Plus Network Camera



Structure Diagrams



Units: mm

Accessories Support

A01 Pole Mount

Weight: 720g
Dimensions: 170*51.5*152.6mm



A03 External Corner Bracket

Weight: 900g
Dimensions: 170*152.5*76.3mm



A62 Junction Box

Weight: 510g
Dimensions: 134*126*40mm



Milesight Technology | www.milesight.com
Contact Us: sales@milesight.com support@milesight.com

Add: 220 NE 51st Street, Oakland
Park, Florida 33334, USA
Tel: +1-800-561-0485

Add: 925, Anyang SK V1 Center, LS-ro
116beon-gil, Dongan-gu, Anvang-si, Korea
Tel: +82-31-990-7732

Add: Building C09, Software Park
Phase III, Xiamen 361024, Fujian, China
Tel: +86-592-5922772

